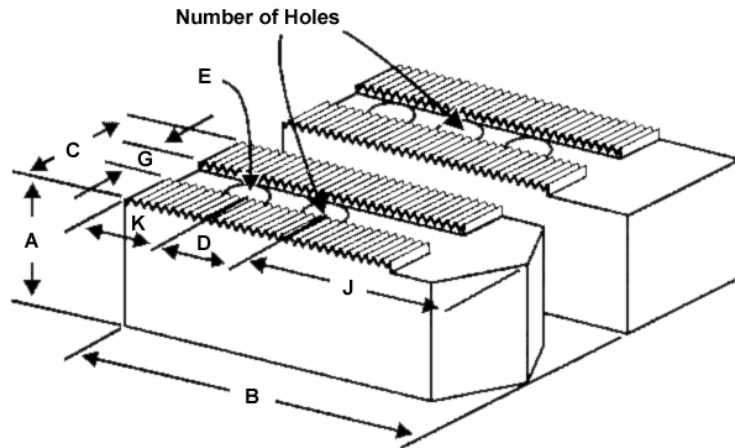


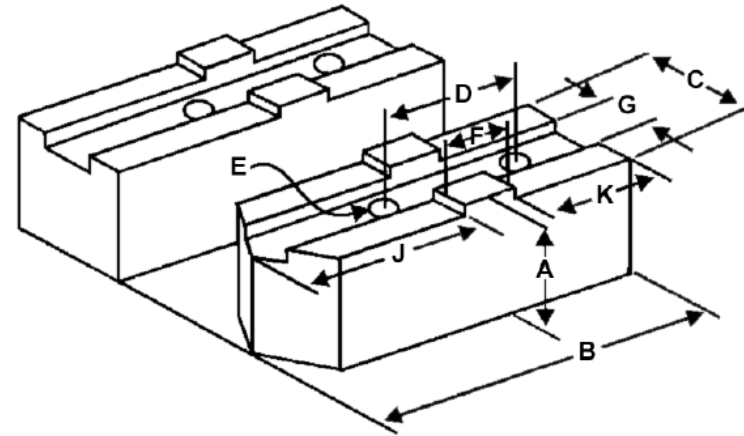


**Collet Pad Top Jaw Inquiry Form**

Insert your measurements based on the diagrams below and fax this form to ISO!



Serrated Collet Pad Top Jaw



Tongue and Groove Collet Pad Top Jaw

MODEL #	CHUCK SIZE	A	B	C	D	E	F	J	T	BOLT SIZE

Please contact \_\_\_\_\_ at \_\_\_\_\_ with more information on **ISO Collet Pad Top Jaws!**  
*Your Name* *Your Phone Number*