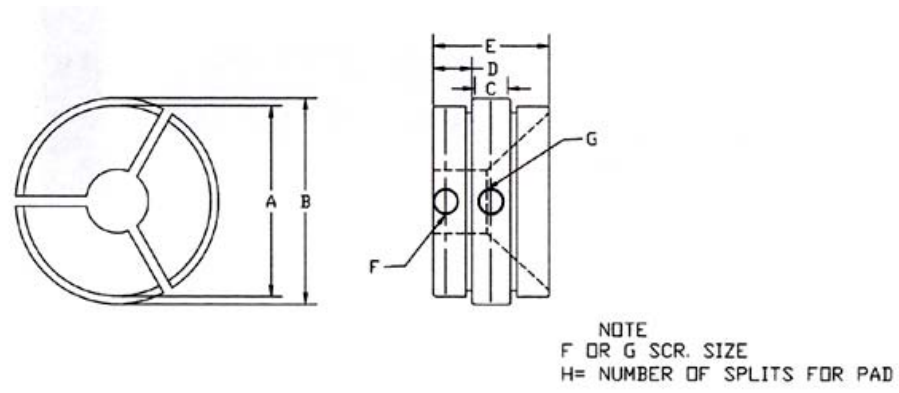




Collet Pad Inquiry Form

Insert your measurements based on the diagram below and fax this form to ISO!



Collet Pad

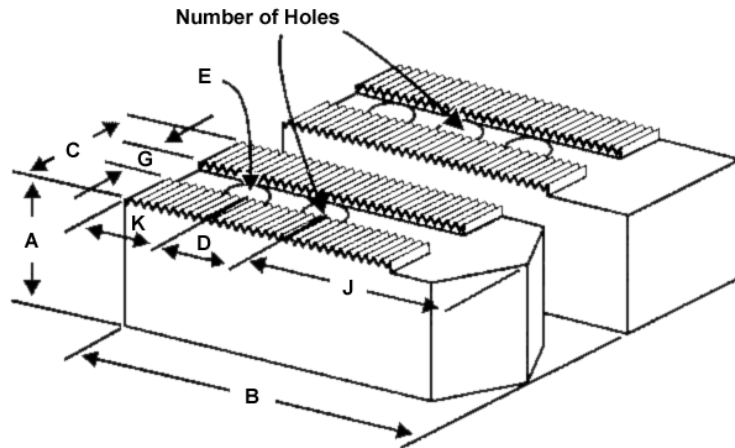
A	B	C	D	E	F	G	H

Please contact _____ at _____ with more information on **ISO Collet Pads!**
Your Name *Your Phone Number*

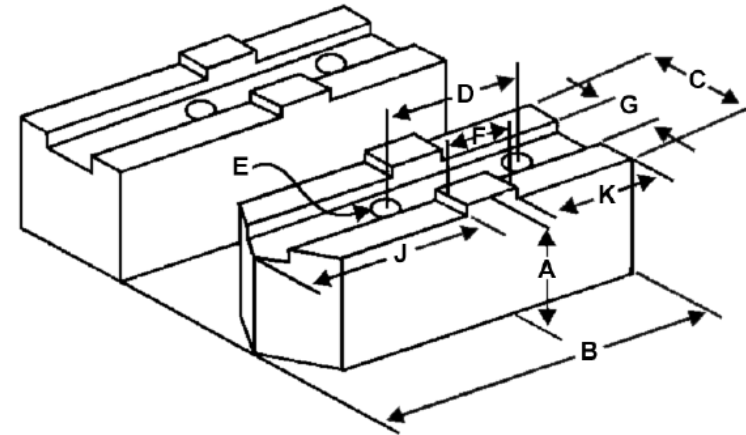


Collet Pad Top Jaw Inquiry Form

Insert your measurements based on the diagrams below and fax this form to ISO!



Serrated Collet Pad Top Jaw



Tongue and Groove Collet Pad Top Jaw

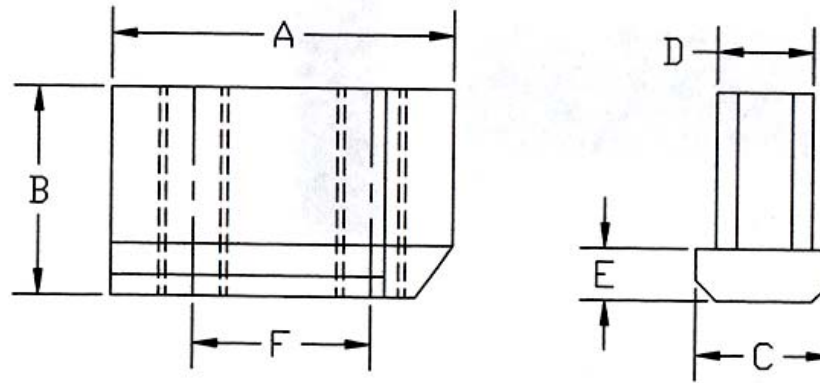
MODEL #	CHUCK SIZE	A	B	C	D	E	F	J	T	BOLT SIZE

Please contact _____ at _____ with more information on **ISO Collet Pad Top Jaws!**
Your Name *Your Phone Number*



T-nut Inquiry Form

Insert your measurements based on the diagram below and fax this form to ISO!



T-nut

A	B	C	D	E	F

Please contact _____ at _____ with more information on **ISO T-nuts!**
Your Name *Your Phone Number*